

Part Number—51605-XX

Models AA5

Application:

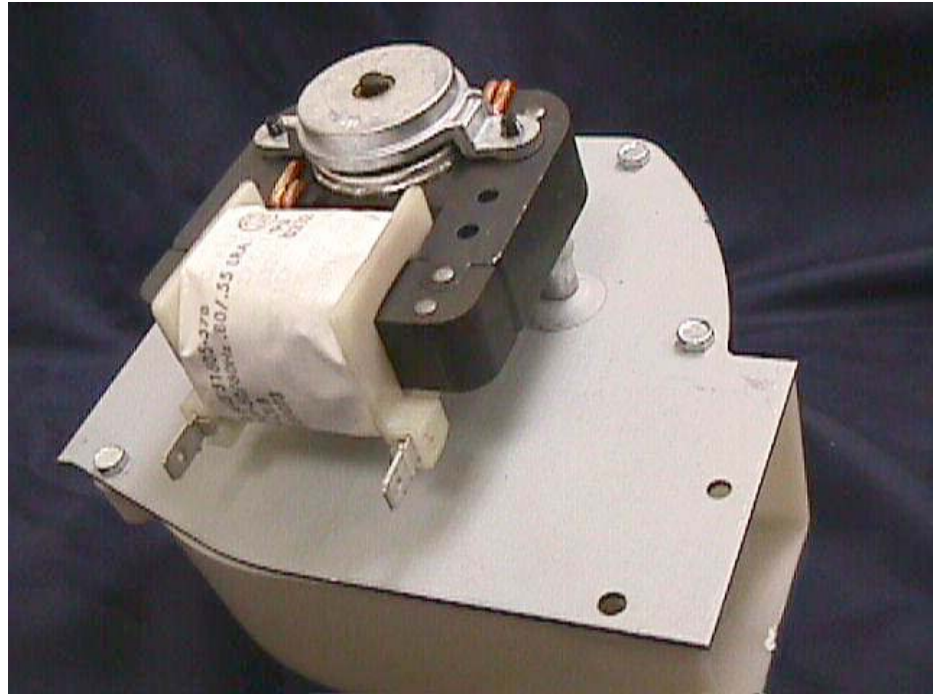
Vending Machine

Arkansas General Industries

"RELY ON GI"



ISO 9001 CERTIFIED



AC—C-Frame—Shaded Pole Motor

CW Rotation—Shaft End

120V 60HZ—230V 60HZ

Insulation Class B

Temp. Rating 40°C to 60°C

AF Front bracket

UL, or CSA Listing

Shaft Extension—As required

Arkansas General Industries

102 Miler St
P.O. Box 260
Bald Knob
AR 72010

Phone: 501-724-3227
Fax: 501-724-915
Email: info@agimotors.com
www.agimotors.com

AC MOTORS

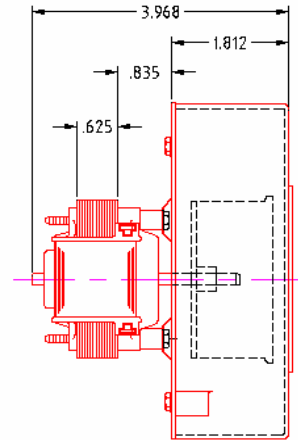
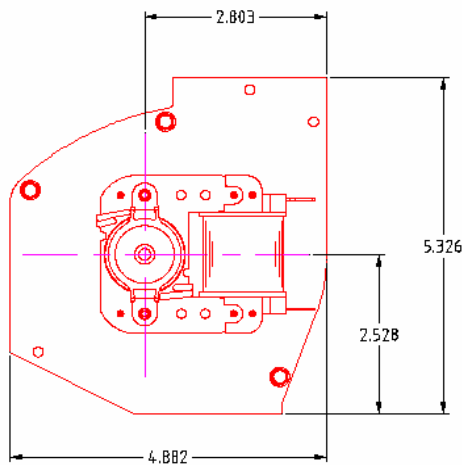
Part Number—51605-XX
 Models AA5
 Application:
 Vending Machine

Arkansas General Industries

"RELY ON GI"



ISO 9001 CERTIFIED



<u>Part No.</u>	<u>Volts/Freq.</u>	<u>Rotation</u>	<u>Stack</u>	<u>RPM</u>	<u>Torque</u>	<u>Watts</u>
51605-52	120V/60HZ	CW	5/8"	2920	3.30 oz in	28.0 Watts
51605-52	120V/50HZ	CW	5/8"	2650	2.70 oz in	28.0 Watts
51605-53	120V/60HZ	CW	5/8"	2920	3.30 oz in	21.0 Watts
51605-53	120V/50HZ	CW	5/8"	2650	2.70 oz in	21.0 Watts
51605-54	230V/50HZ	CW	5/8"	2650	2.70 oz in	14.7 Watts
51605-54	230V/60HZ	CW	5/8"	2920	3.30 oz in	14.7 Watts
51605-55	230V/50HZ	CW	5/8"	2700	2.20 oz in	25.6 Watts
51605-55	230V/60HZ	CW	5/8"	2800	3.20 oz in	25.6 Watts
51605-56	120V/60HZ	CW	5/8"	2920	3.30 oz in	28.0 Watts
51605-56	120V/50HZ	CW	5/8"	2650	2.70 oz in	28.0 Watts
51605-57	120V/60HZ	CW	5/8"	2920	3.30 oz in	21.0 Watts
51605-57	120V/50HZ	CW	5/8"	2650	2.70 oz in	21.0 Watts
51605-58	230V/60HZ	CW	5/8"	2920	3.30 oz in	14.7 Watts
51605-58	230V/50HZ	CW	5/8"	2650	2.70 oz in	14.7 Watts
51605-59	230V/60HZ	CW	5/8"	2800	3.20 oz in	25.6 Watts
51605-59	230V/50HZ	CW	5/8"	2700	2.20 oz in	25.6 Watts

NOTE: Variations in performance, mounting and mechanical design can be provided.

Arkansas General Industries

102 Miler St
 P.O. Box 260
 Bald Knob
 AR 72010

Phone: 501-724-3227
 Fax: 501-724-915
 Email: info@agimotors.com
www.agimotors.com