

Part Number—19300-XX
Models 2”

Application:
Headlamp Actuator
w / Metal Gear Housing

DC MOTORS

Arkansas General Industries

"RELY ON GI"



ISO 9001 CERTIFIED



DC— Permanent Magnet Motor
CW & CCW Rotation—Shaft End
12V
Black E-coat Magnet Housing
Metal Gear Housing
Shaft Extension—As required

Arkansas General Industries

102 Miller St
P.O. Box 260
Bald Knob
AR 72010

Phone: 501-724-3227
Fax: 501-724-5915
Email: info@agimotors.com
www.agimotors.com

Part Number—19300-XX
Models 2”

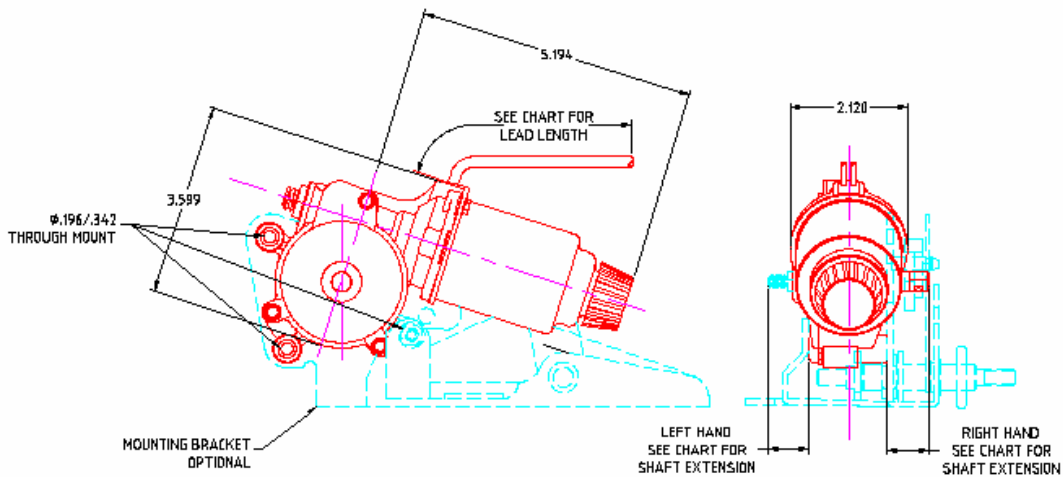
Application:
Headlamp Actuator
w / Metal Gear Housing

Arkansas General Industries

"RELY ON GI"



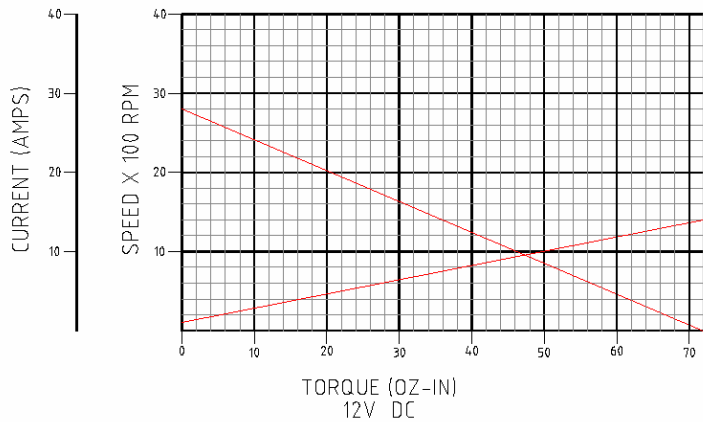
ISO 9001 CERTIFIED



Part No.	Shaft ext.	Right/Left	Lead
19300-03	.8125	Both	8.070
19300-05	.9740	Left	8.070
19300-06	.9740	Right	8.070
*19300-33	.7025	Left	30.00
*19300-34	.7025	Right	30.00
19300-37	.8125	Left	9.050
19300-38	.8125	Right	9.050
19300-41	1.624	Both	8.070
19300-53	.9740	Right	8.070
19300-54	.9740	Left	8.070
19300-63	.7410	Left	8.125
19300-64	.7410	Right	8.125
*19300-65	.7410	Right	8.125
*19300-66	.7410	Left	8.125

* Optional bracket or lever arm.

NOTE: Variations in performance, mounting and mechanical design can be provided.



Arkansas General Industries

102 Miller St
P.O. Box 260
Bald Knob
AR 72010

Phone: 501-724-3227
Fax: 501-724-5915
Email: info@agimotors.com
www.agimotors.com