

Part Number—19300-XX
Models 2”

Application:
Headlamp Actuator
w / Plastic Gear Housing

DC MOTORS

Arkansas General Industries

"RELY ON GI"



ISO 9001 CERTIFIED



DC— Permanent Magnet Motor
CW & CCW Rotation—Shaft End
12V
Black E-coat Magnet Housing
Plastic Gear Housing
Shaft Extension—As required

Arkansas General Industries

102 Miller St
P.O. Box 260
Bald Knob
AR 72010

Phone: 501-724-3227
Fax: 501-724-5915
Email: info@agimotors.com
www.agimotors.com

Part Number—19300-XX
Models 2”

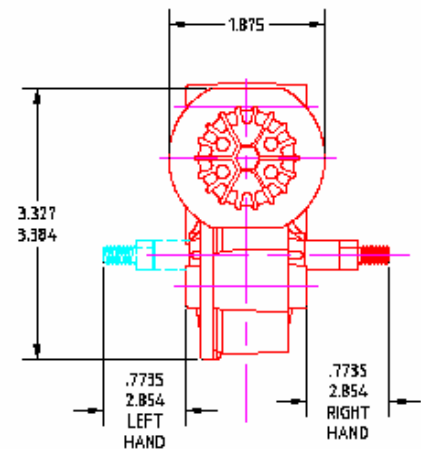
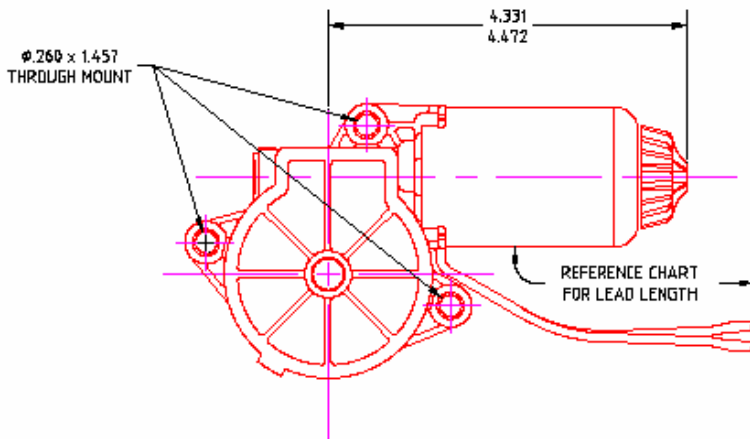
Application:
Headlamp Actuator
w / Plastic Gear Housing

Arkansas General Industries

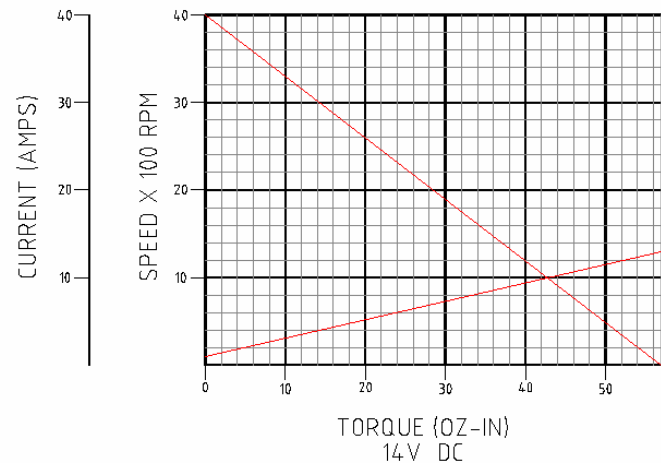
"RELY ON GI"



ISO 9001 CERTIFIED



Part No.	Shaft ext.	Right/Left	Lead
19300-83	2.854	Right	4.725
19300-84	2.854	Left	4.725
19300-86	.984	Left	8.070
*19300-87	.984	Left	4.625
*19300-88	.984	Right	4.625
19300-89	.984	Left	10.04
19300-90	.984	Right	10.04
19300-91	.7735	Left	9.050
19300-92	.7735	Right	9.050
19300-93	.7735	Left	9.050
19300-94	.7735	Right	9.050



* Right/Left is reversed with shaft extension.
NOTE: Variations in performance, mounting and mechanical design can be provided.