

Part Number—19340-XX
19365-XX

Models 2”

Application:
Compressor

Arkansas General Industries

"RELY ON GI"



ISO 9001 CERTIFIED



DC— Permanent Magnet Motor

CCW Rotation—Shaft End

12V - 24V

Black E-coat or Yellow Dichromate Magnet Housing

Cast Housing

Shaft Extension—As required

Arkansas General Industries

102 Miller St
P.O. Box 260
Bald Knob
AR 72010

Phone: 501-724-3227
Fax: 501-724-5915
Email: info@agimotors.com
www.agimotors.com

DC MOTORS

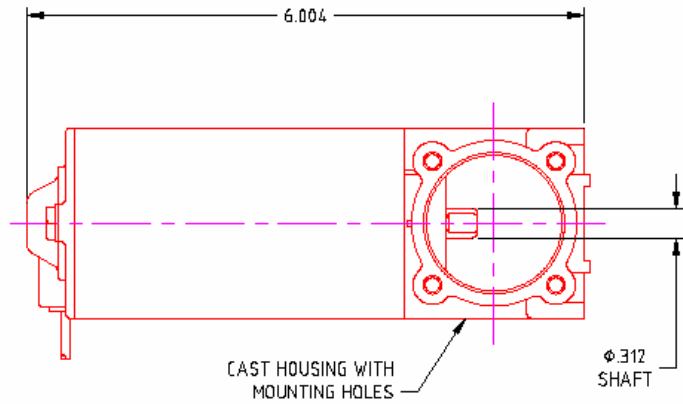
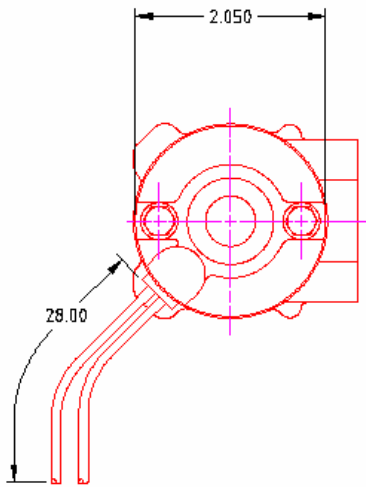
Part Number—19340-XX
 19365-XX
 Models 2”
 Application:
 Compressor

Arkansas General Industries

"RELY ON GI"



ISO 9001 CERTIFIED



Part No.	Shaft ext.	Rotation	Volts
19340-01	.400	CCW	12
19340-03	.400	CCW	24
19340-05	.400	CCW	12
19340-07	.400	CCW	12
19365-01	.272	CW	12
19365-02	.272	CW	24

NOTE: Variations in performance, mounting and mechanical design can be provided.

