

Part Number—19355-XX
Models 1.52”

Application:
Seat Belt Restraint

DC MOTORS

Arkansas General Industries

"RELY ON GI"



ISO 9001 CERTIFIED



DC— Permanent Magnet Motor
CW - CCW Rotation—Drive Gear End
12V
Black E-coat Magnet Housing
Metal Gear Housing
Shaft Extension—As required

Arkansas General Industries

102 Miller St
P.O. Box 260
Bald Knob
AR 72010

Phone: 501-724-3227
Fax: 501-724-5915
Email: info@agimotors.com
www.agimotors.com

Part Number—19355-XX

Models 1.52”

Application:

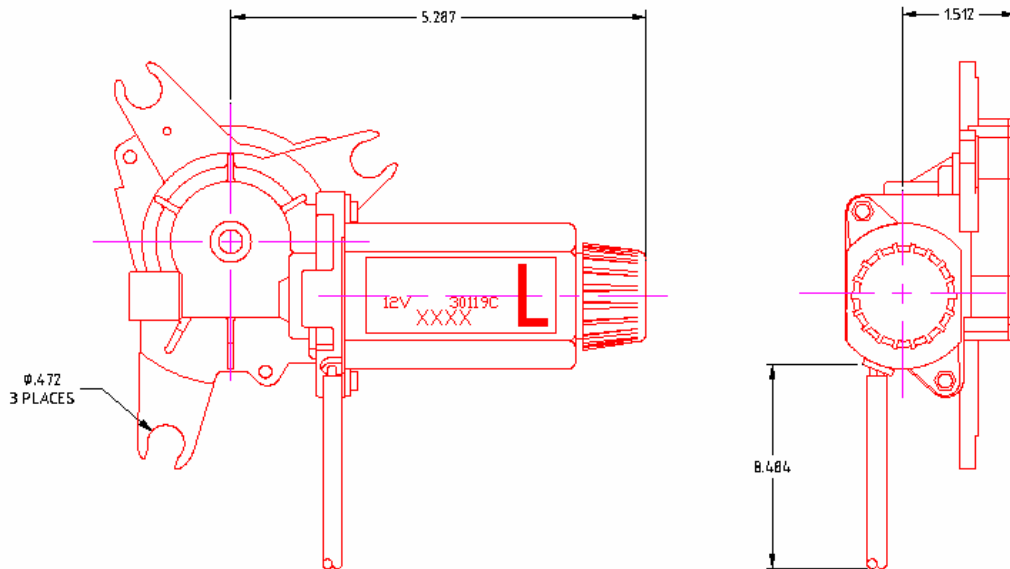
Seat Belt Restraint

Arkansas General Industries

"RELY ON GI"



ISO 9001 CERTIFIED



Part No.	Mount	Rotation	Volts
19355-01	Right	CW / CCW	12
19355-02	Left	CW / CCW	12

NOTE: Variations in performance, mounting and mechanical design can be provided.

Motor Specifications (at 25°C)		
No Load	Speed	130 RPM (min)
	Current	4 A (max)
Load	Speed	120 RPM
	Current	5.5 A
Stall Current		34 A (max)
Reduction Ratio		1:37