

Part Number—19360-XX

Models 1.5”

Application:

Compressor

Arkansas General Industries

"RELY ON GI"



ISO 9001 CERTIFIED



DC— Permanent Magnet Motor

CW Rotation—Shaft End

12V - 24V - 48V

Black E-coat Magnet Housing

Cast Housing

Shaft Extension—As required

DC MOTORS

Arkansas General Industries

102 Miller St
P.O. Box 260
Bald Knob
AR 72010

Phone: 501-724-3227
Fax: 501-724-5915
Email: info@agimotors.com
www.agimotors.com

Part Number—19360-XX

Models 1.5”

Application:

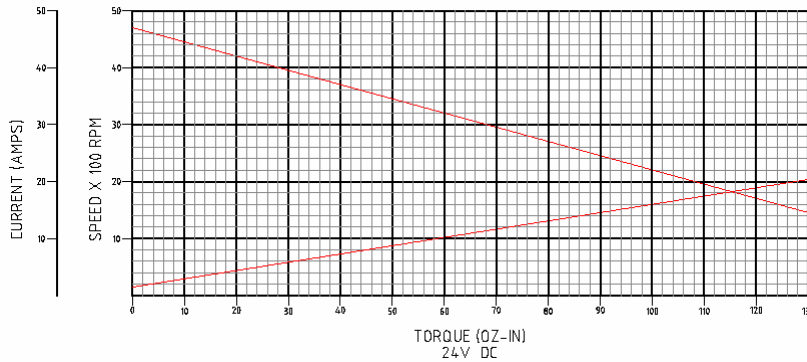
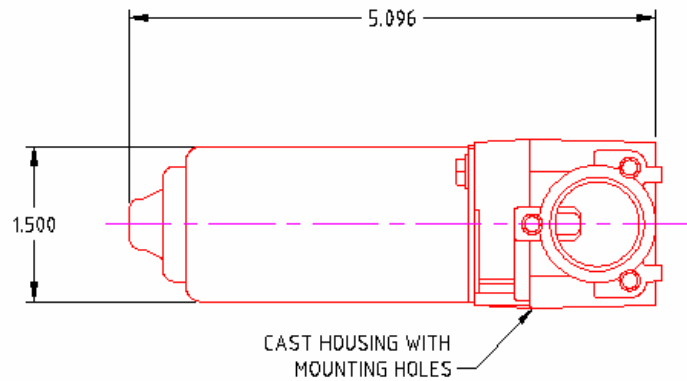
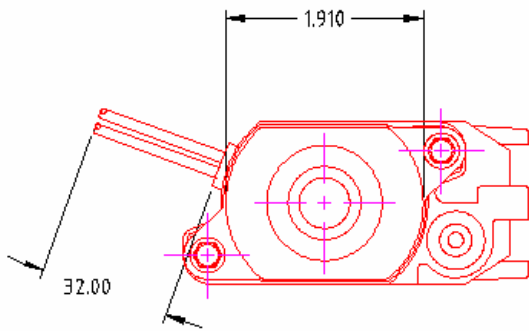
Compressor

Arkansas General Industries

"RELY ON GI"



ISO 9001 CERTIFIED



Part No.	Shaft ext.	Rotation	Volts
19360-01	.355	CW	12
19360-02	.355	CW	24
19360-03	.355	CW	48

NOTE: Variations in performance, mounting and mechanical design can be provided.

