

Part Number—19510-XX
Models 2.5”

Application:
Linear Actuator

DC MOTORS

Arkansas General Industries

"RELY ON GI"



ISO 9001 CERTIFIED



DC— Permanent Magnet Motor
CW - CCW Rotation—Shaft End
12V - 28V - 36V
Black E-coat Magnet Housing
Black E-coat End Bell
Molded Black Rynite #530 End Bell
Shaft With Spline
Shaft Extension—As required

Arkansas General Industries

102 Miller St
P.O. Box 260
Bald Knob
AR 72010

Phone: 501-724-3227
Fax: 501-724-5915
Email: info@agimotors.com
www.agimotors.com

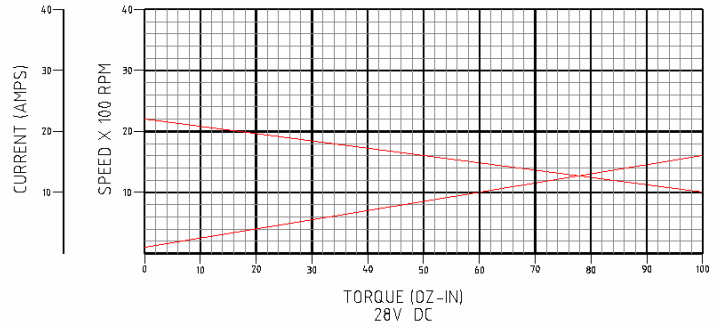
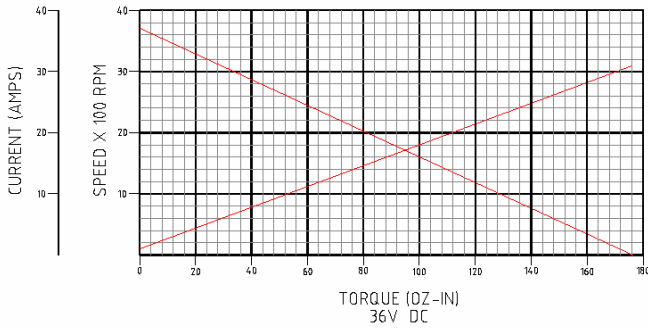
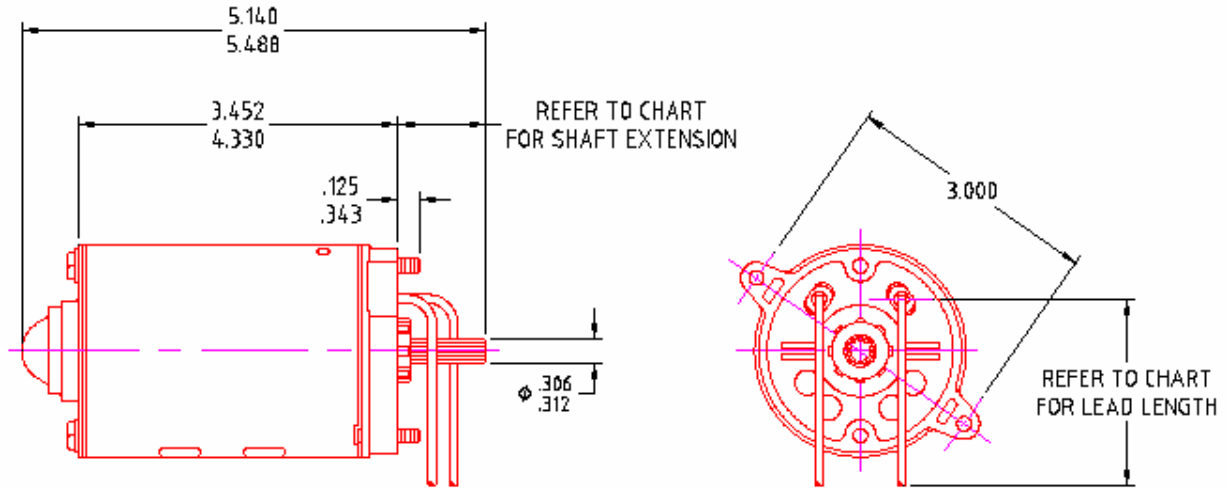
Part Number—19510-XX
 Models 2.5”
 Application:
 Linear Actuator

Arkansas General Industries

"RELY ON GI"



ISO 9001 CERTIFIED



<u>Part No.</u>	<u>Shaft</u>	<u>Leads</u>	<u>Rotation</u>	<u>Volts</u>
19510-07	.994	8.5/5.0	CW	36
19510-10	.994	8.0/5.0	CW	36
19510-11	.994	8.0/5.0	CCW	36
19510-17	.994	5.0	CW	28
19510-21	1.405	5.0	CW	28
19510-34	.994	8.0/5.0	CCW	12

NOTE: Variations in performance, mounting and mechanical design can be provided.