

Part Number—19600-XX

Models 2”

Application:  
Blower

**DC MOTORS**

## Arkansas General Industries

"RELY ON GI"



ISO 9001 CERTIFIED



**DC— Permanent Magnet Motor**

**CCW Rotation—Shaft End**

**12V**

**Steel Magnet Housing**

**Molded Black Rynite #530 End Bell**

**Blower Housing**

**Shaft Extension—As required**

### Arkansas General Industries

---

102 Miller St  
P.O. Box 260  
Bald Knob  
AR 72010

---

Phone: 501-724-3227  
Fax: 501-724-5915  
Email: [info@agimotors.com](mailto:info@agimotors.com)  
[www.agimotors.com](http://www.agimotors.com)

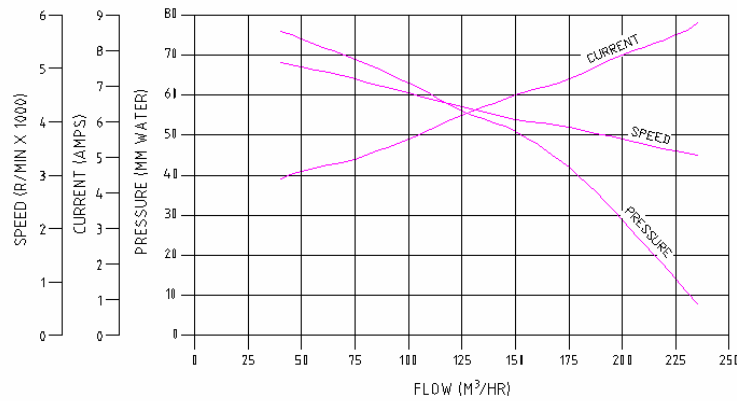
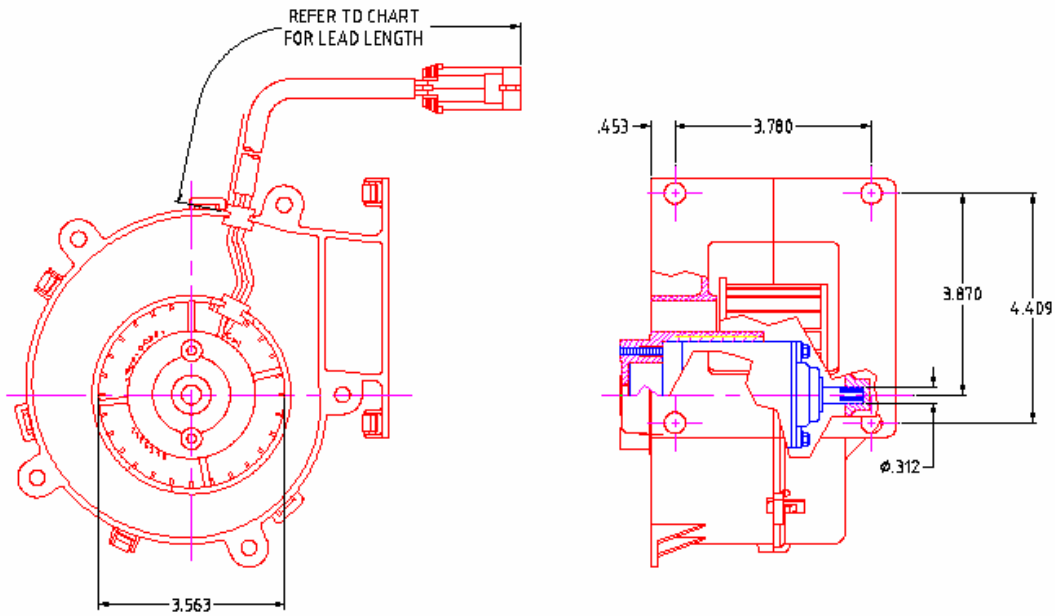
Part Number—19600-XX  
 Models 2”  
 Application:  
 Blower

# Arkansas General Industries

"RELY ON GI"



ISO 9001 CERTIFIED



<u>Part No.</u>	<u>Leads</u>	<u>Rotation</u>	<u>Volts</u>	<u>Temp</u>
19600-10	9.87	CCW	13.5	+40° to -40°
19600-11	11.25	CCW	13.5	+40° to -40°

Rotation viewed from shaft extension end

**NOTE:** Variations in performance, mounting and mechanical design can be provided.