

Part Number—19725-XX
Models 3”
Application: Blower

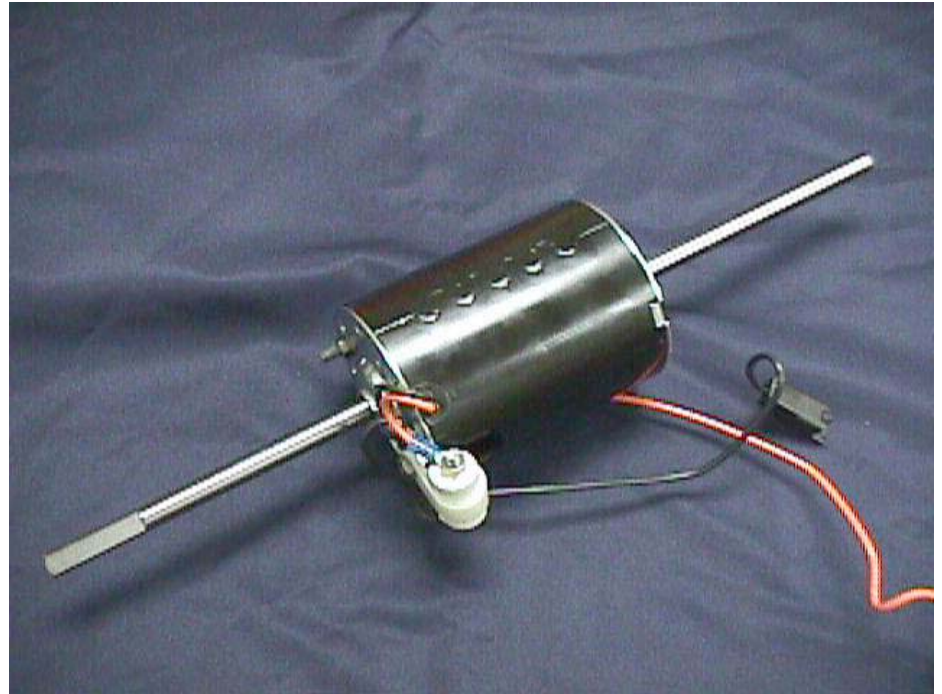
DC MOTORS

Arkansas General Industries

"RELY ON GI"



ISO 9001 CERTIFIED



DC— Permanent Magnet Motor
CW Rotation—Lead End
12V
Black E-coat Magnet Housing
Zinc Plated End Bell
Double Shaft Extension
Capacitor Optional
Shaft Extension—As required

Arkansas General Industries

102 Miller St
P.O. Box 260
Bald Knob
AR 72010

Phone: 501-724-3227
Fax: 501-724-5915
Email: info@agimotors.com
www.agimotors.com

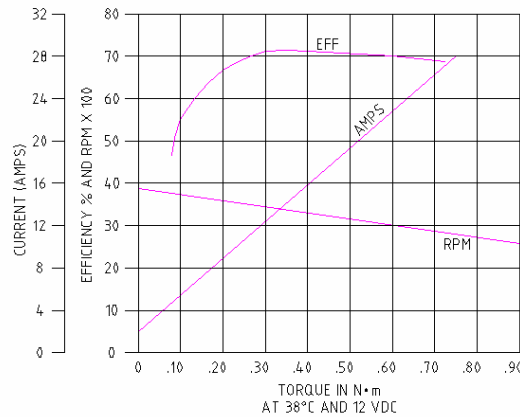
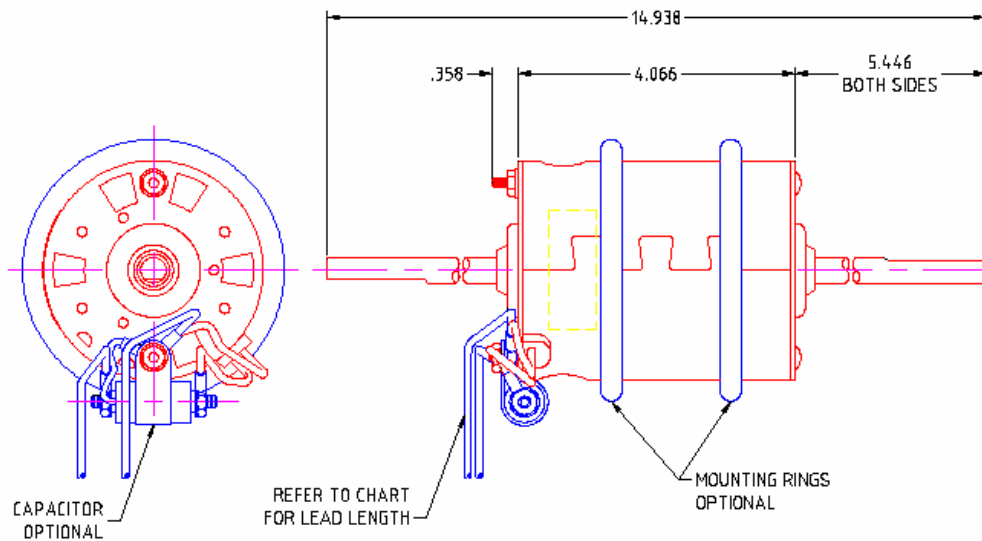
Part Number—19725-XX
 Models 3”
 Application: Blower

Arkansas General Industries

"RELY ON GI"



ISO 9001 CERTIFIED



<u>Part No.</u>	<u>Capacitor</u>	<u>Rotation</u>	<u>Leads</u>	<u>Mounting Rings</u>
19725-06	Yes	CW	8.7 / 13.0	Yes
19725-07	No	CW	18.0	No
19725-08	Yes	CW	8.7 / 13.0	Yes

NOTE: Variations in performance, mounting and mechanical design can be provided.